

850LED Pigtail device

Features:

- High output power
- High efficiency
- High reliability, wide operating temperature
- Coaxial package with MM 62.5um fiber
- Rohs Compliant

Applications:

- Fiber optic communication
- E-O converters, FDDI networks
- LANS ; FITL

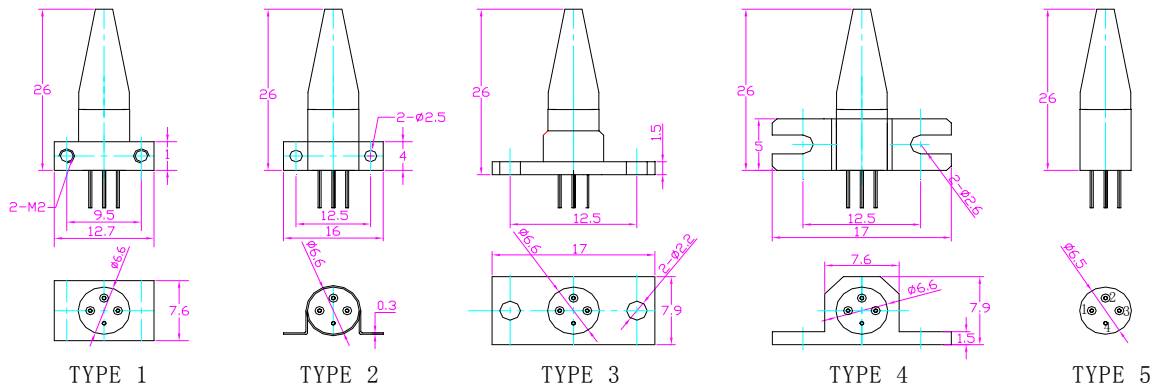
Optical and electrical Characteristics

Parameter	Test condition	Symbol	Min	Typ	Max	Unit
Wavelength	If=100mA	λ_p	830	850	870	nm
Forward Voltage	If=100mA	Vf		1.8	2	V
Spectral width	If=50mA	$\Delta\lambda$		35		nm
Output rise time	If,10%~90%	tr		6	8	ns
Output Fall time	If,90%~10%	tf		6	10	ns
Output Power	If, 62.6/125um	po	25	50		uW

Absolute Maximum Ratings

Parameter	Test condition	Ratings	Unit
Operating temperature		-40~+85	°C
Storage temperature		-55~+115	°C
Reverse voltage	CW	1.0	V
Continuous Forward Current	CW	150	mA
Lead soldering temperature	5 Sec.	240	°C

Assembly Package



Pin Assignment

PN	Laser Diode	
1	Anode	
2	Cathode	
3	Case	

Pigtail-Tx

STP-ABCDEFG

A(LD)	B(Wave)	C(Power)	D(Data rate)	F (Link)	E(Pinout)	G(Isolation)	H(fiber)
F-FP	1-650nm	1\ -10-15dBm	1\ 1.25GB/S	1-FC/PC	A	N	S single
D-DFB	2-850nm	2\ -8~-10dBm	2\ 2.5Gb/s	2-SC/PC	C	I	M5-50um
E-LED	3-1310nm	3\ -3~-8dBm	3\ 10Gb/s	3-ST/PC	E		M6-62.5um
	4-1490nm	4\ 0~-3dBm	0\ other	4-LC/PC			
	5-1550nm	5\ +3~0dBm		5-FC/APC			
	6-1625nm	6\ +6~+3dBm		6-SC/APC			
	7-CWDM	7\ >+6dBm		7-LC/APC			